

PHILIPS



Metronomis

city beautification luminaire

*Stylish, modular design
State-of-the-art lighting technology
Easy-to-maintain*



lighting solutions that really last

city beautification luminaire

Outdoor architecture can only be fully appreciated with a good balance between the aesthetical and functional needs of a city. The Philips Metronomis range of products is dedicated to such needs. It is elegantly designed to integrate harmoniously into any street scene during the day.

At night, Metronomis is functional in two ways - guiding traffic safely through the city while creating a pleasant ambience in city squares and pedestrian precincts. It succeeds in combining visual diversity with a coherent family design, gracing both modern and historical architectural environments.

Metronomis for residential areas

Lighting involves illuminating the surroundings with the aim to accentuate the beauty of the residential areas and parks. During the day the rows of lighting columns help set the pattern of the residential area. The correct height and suitable lighting spread creates a place where one can feel safe to wander through the pavements and streets in the night. In residential quarters, the Metronomis louver hides the light source from view keeping light intrusion to a minimum. The Metronomis range comes in a controlled variety of designs, materials, colors and light sources bringing a degree of unity and appeal to the residential area both in the day and in the night.



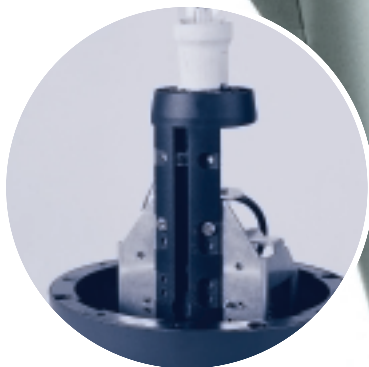
Metronomis for city squares, parks and gardens

The essential aim of lighting is to accentuate the beauty of the scene without creating large, excessive dark areas. Lighting of a park or garden involves the illumination of trees, shrubs, flowerbeds and paths. Square lighting entails highlighting the modern architectural features along with flora and fauna. The Metronomis diffuser spreads and softens the lamplight, creating an effective and appealing nightscape. It also offers a choice of elegant highly functional optical elements as well as a range of dedicated columns and brackets, providing architects and lighting designers with an infinite variety of design and lighting effects.



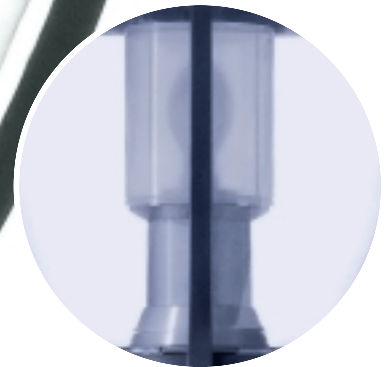
Easy installation and maintenance

The bayonet catch facilitates ease of maintenance and lamp replacement without any need of complicated tools.



Versatility

The adjustable base accommodates a wide range of warm and cool lamp options (with lamp wattages up to 150W).



State-of-the-art lighting technology

Highly functional optical elements to create a wide variety of lighting effects.

Stylish appearance

A variety of stylish finishings to blend harmoniously with any street scene while creating a unified consistent lighting design.

Torino CDS530

Torino CDS530

Malmö CDS550

Annecy CDS560

Berlin CDS570

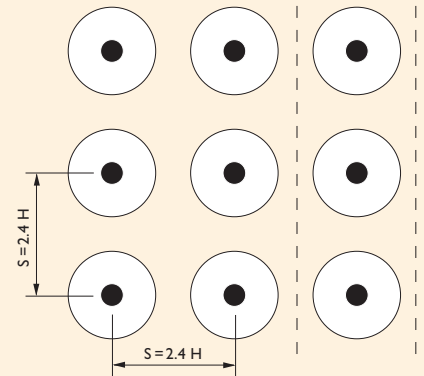
Cambridge CDS580



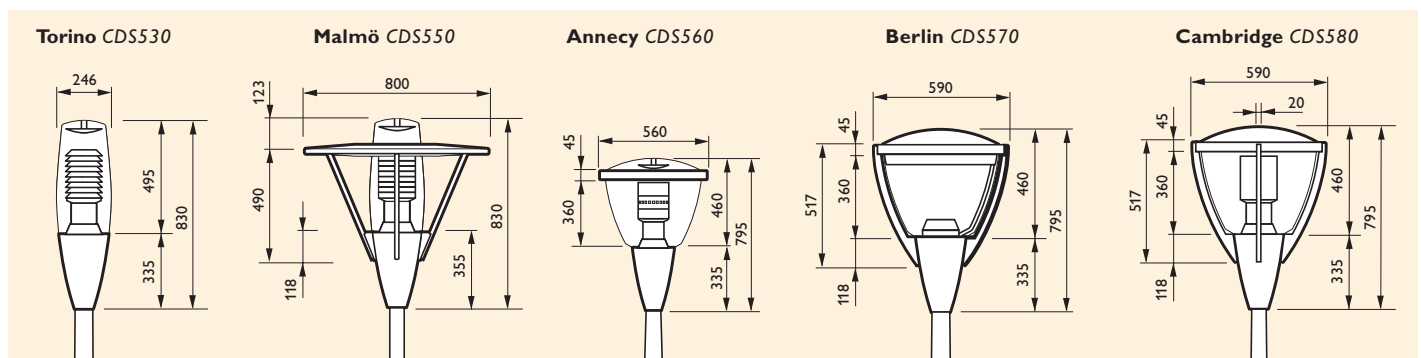
Application guide

Lighting requirement for urban space	Horizontal illuminance (lux)	
	Average maintained	Minimum requirement
Road with a representative function	20	7.5
Busy street with mixed traffic	10	3
Local or residential road	3-5	1
Cycle path	5	2.5
Public space in town centre (pedestrian use only)	15	5
Suburban shopping street (pedestrian use only)	10	3
Walkway in village centre (pedestrian use only)	8	2
Footpath in park	5	2

Reflector/louvre/diffuser, lightpoint height $H = 3 - 4.5\text{m}$



Product dimensions



Measurements in mm

Ordering data

	Lamp	Packing weight (kg)	Packing dimensions (LxWxH, mm)	Packing Unit	Ordering number
CDS530/150 CDM-T	CDM-T 150W	11.0	910x300x300	1	8241 069 60480
CDS550/150 CDM-T	CDM-T 150W	16.0	910x300x300 860x860x130		8214 069 61880
CDS560/150 CDM-T	CDM-T 150W	12.0	910 x600x600		8241 069 62680
CDS570/150 CDM-T	CDM-T 150W	12.0	910x600x600		8241 069 63480
CDS580/150 CDM-T	CDM-T 150W	12.0	910x600x600		8241 069 64280
CDS530/70 SON-T	SON-T 70W	11.0	910x300x300		8241 069 59580
CDS550/70 SON-T	SON-T 70W	16.0	910x300x300 860x860x130		8241 069 61380
CDS560/70 SON-T	SON-T 70W	12.0	910x600x600		8241 069 62180
CDS570/70 SON-T	SON-T 70W	12.0	910x600x600		8241 069 62980
CDS580/70 SON-T	SON-T 70W	12.0	910x600x600		8241 069 63780

Notes: Lamps not included.

Standard products are for 220V 50Hz system. Other voltage and frequency systems are available upon request.
Specifications subject to modification.

www.lighting.philips.com/apr

© 2003 Koninklijke Philips Electronics N.V.

All rights reserved, reproduction in whole or in part without permission is prohibited.

32 1-A43 3 001-01